



# Agilent Technologies E1300A/01A B-Size Mainframes

---

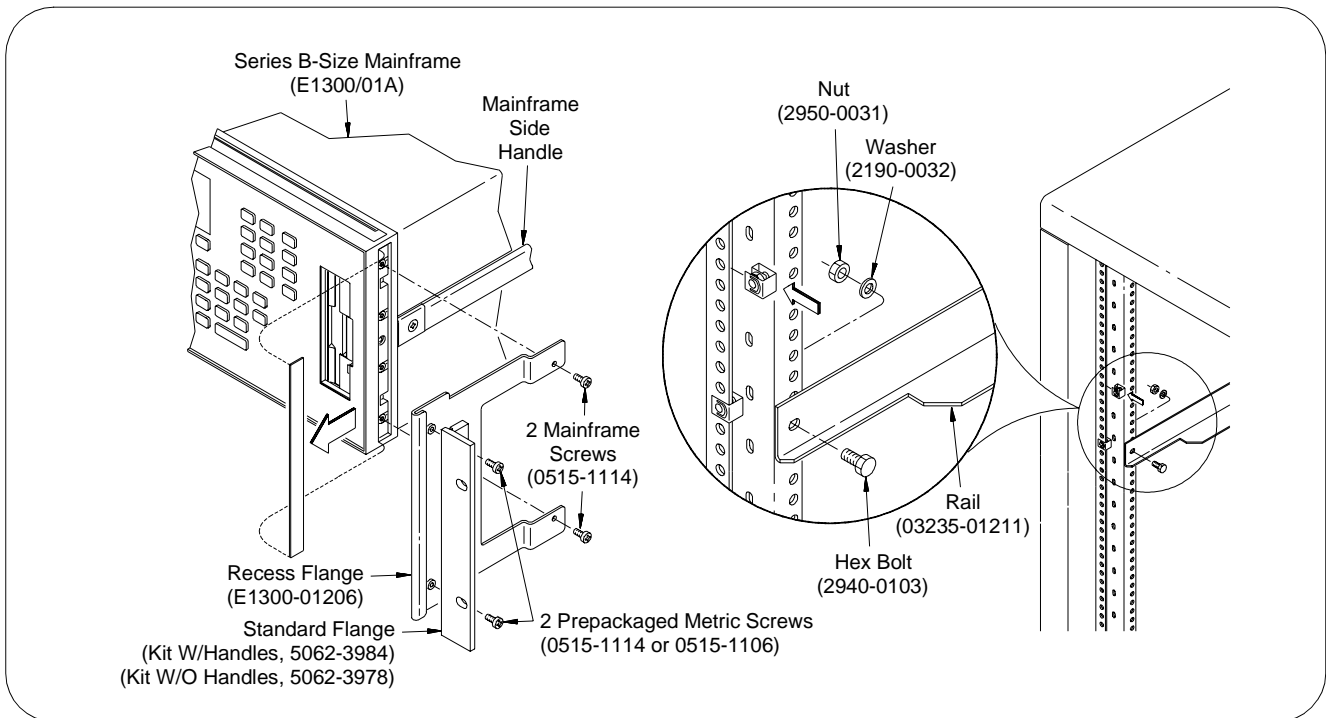
## Rack Mount Kit Installation Note



**Agilent Technologies**  
Innovating the HP Way



Part Number: E1300-90026  
Printed in Malaysia E0406



### Parts List

The items listed are included in the E1300-80908 (same as E1300/01 Option 908) or the E1300-80909 (same as E1300/01 Option 909) Rack Mount Kit. A #1 pozidrive, #2 pozidrive, and 7/16 in. wrench are also required.

- 2 Recess Flanges (E1300-01206)
- 2 Rails (03235-01211)
- 6 Mainframe Screws (0515-1114)
- 4 Cosmetic Screws (0570-1366)
- 4 Nuts for Cosmetic Screws (0590-0804)
- 4 Washers for Rails (2190-0032)
- 4 Hex Bolts for Rails (2940-0103)
- 4 Nuts for Rails (2950-0031)
- 1 Prepackaged Rack Mount Kit (5062-3978 without handles or 5062-3984 with handles)

### Installing the Rails

Install the rails (03235-01211) as shown in the figure above. Use two hex bolts (2940-0103), two washers (2190-0032), and two nuts (2950-0031) for each rail. When using non-Agilent racks, you may need to drill holes for mounting rails.

### Using Flush Mounting

Use the instructions on the prepackaged rack mount kit (5062-3978 or 5062-3984). Use the metric screws provided in the kit. To install the mainframe in a flush reverse direction, remove the mainframe side handles. Also, leave extra space above the mainframe since the mainframe sits higher on the rails when installed in this manner. Put the recess flanges (E1300-01206) aside for future use.

### Using Recess Mounting

Remove the trim strips and feet before doing this step. Attach the recess flanges (E1300-01206) to the mainframe with the mainframe screws (0515-1114). Attach the stand flanges from the prepackaged kit (5062-3978 or 5062-3984) to the recessed flanges using the prepackaged metric screws (0515-1114 or 0515-1106) as shown in the figure above. To install the mainframe in a reversed direction, mount the recess and standard flanges at the back of the mainframe.

### Installing the Mainframe into the Rack

Insert the mainframe into the rack and secure with two cosmetic screws (0570-1366) and nuts (0590-0804) on each side. Be sure to insert the mainframe with the flanges to the front of the rack. If you mounted the flanges to the rear of the mainframe, insert the mainframe in the reverse direction.

Copyright © 1991, 2006 Agilent Technologies, Inc.  
All Rights Reserved.